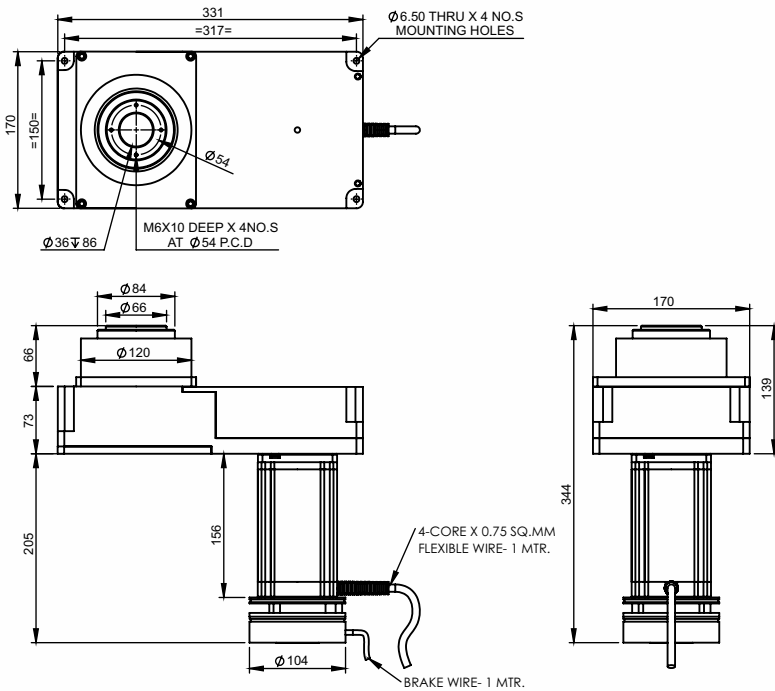


**SPECIFICATION SHEET**  
**Bholanath**

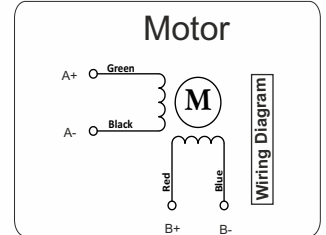
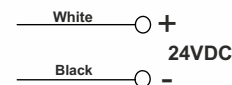
**Rotary Indexing System**  
**BH-RIS-02-A (M+E)**



Stepper Motor Based Highly Accurate Rotary Indexing System Models- BH-RIS-02 -A Bholanath Rotary Indexing Systems are Used in all Automation Applications, Machine Tools and General Industry Applications Bholanath Manufacture Stepper Motor, Stepper Drives ,Power Supplies & Stepper Drive Controllers That Perfectly Compliment Rotary Indexing Systems.



**BRAKE DETAILS :**  
Torque : 10 Nm  
Voltage : 24 V  
Current at 20°C - 0.85 Amps  
Power Consumption at 20°C : 21.1 Watts



**Indexing Degree :-** 0.6°..3°..30°,45°,60°, 90°...180°...360°...  
{n(3)/1.8} where n is Indexing degree.

Example:-  $n=270^\circ$   
 $= (270 \times 3) / 1.8$   
 $= 450$  (Hence 270° indexing is possible)

**Note:-** Continuous Movement up to 100RPM.

**Stepper Drive**  
**BH-SMART-6A**  
Weight :- 350 gm  
Qty 01 Nos



**Power Supply**  
**BH-72VDC**  
Weight :- 6KG  
Qty 01 Nos

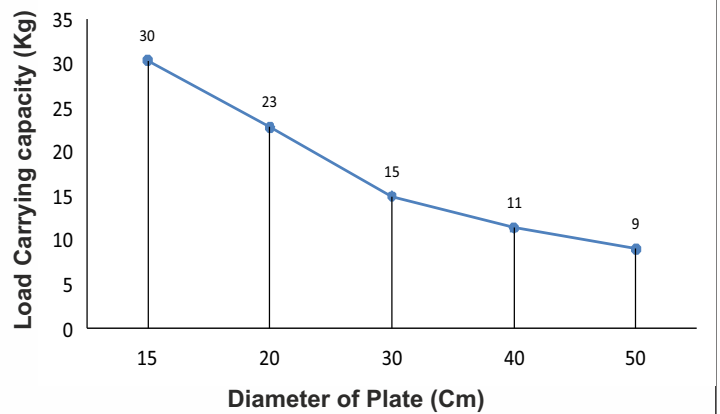


**Stepper Drive Controller**  
**BH-SDC-01-N**  
Weight :- 0.3 KG  
Qty 01 Nos



**TECHNICAL DATA**

SPECIFICATION	Model No	BH-RIS-02-A (M+E)
1	Maximum load carrying capacity(kg)	30
2	Output RPM	0 to 100
2	Gear Ratio of Indexing Table	3:1
3	Positioning Accuracy	$\pm 1$ Degree
4	Degree Of protection	IP 40
5	Total Weight Of Rotary Indexing (KG)	16.5
5	Total Weight Of systems (KG)	22



**Model No:- BH-RIS-02-A (M+E)**



**Bholanath Precision Engineering Pvt.Ltd.**

11,Kembros Ind.Estate , Sonapur Lane , Bhandup (W),Mumbai - 400078.

Telefax/Phone : 25662856/25664338/67993260 Email : support@bholanath.in

Mobile No : 9920903825/9821671733/9930514603/9819515543/9323166582.